

# niftylift

# SP45N



(A) 51ft



(B) 44ft



(C) 32ft



500lbs



4ft 11in x 2ft 8in



150°



180°



(D) 6ft 6in



(F) 4ft 11in



(H) 16ft 2in



(J) 21ft



2.2mph



11ft 6in



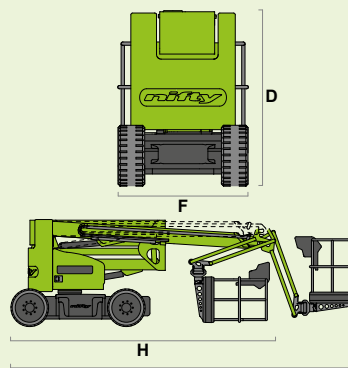
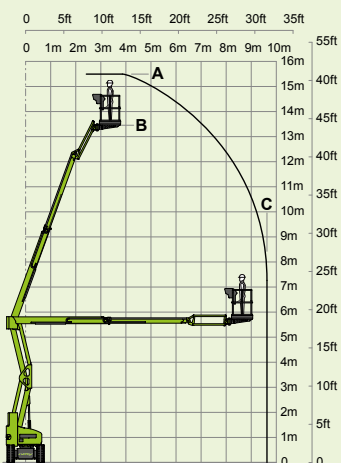
25%  
14°



15980lbs

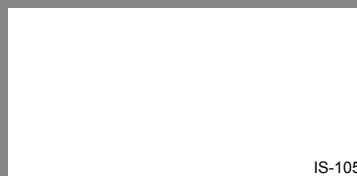


Hybrid<sup>2</sup>



SiOPS<sup>®</sup> All-Electric  
toughcage Gen<sup>2</sup> Hybrid  
Niftylink<sup>®</sup>

**niftylift**  
1525 S. Buncombe Road,  
Greer, SC - 29651  
United States  
1-800-643-8954  
usasales@niftylift.com  
www.niftylift.com



IS-105