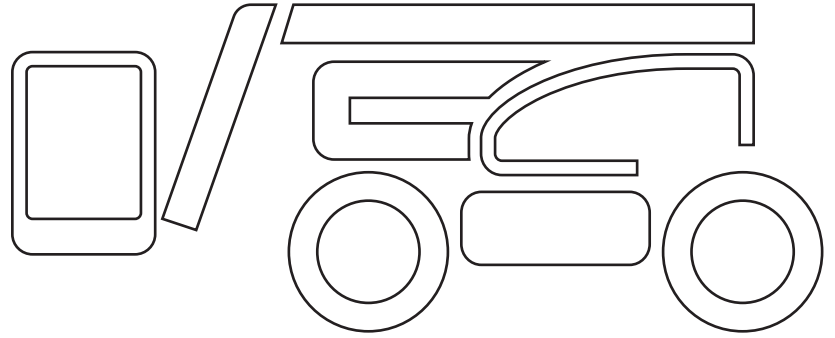
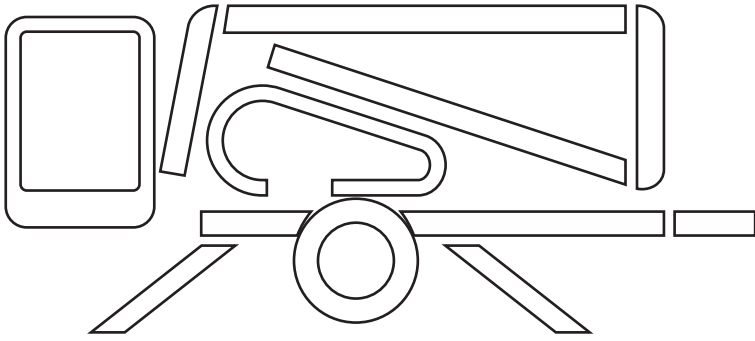
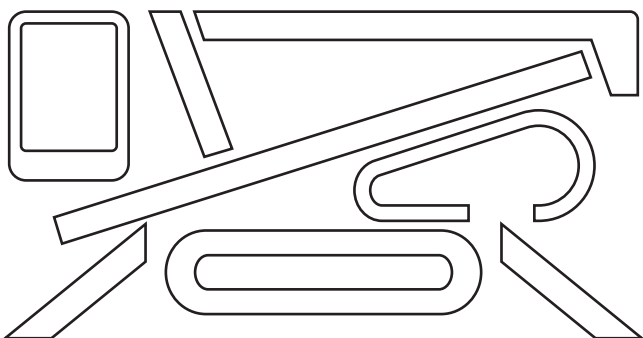
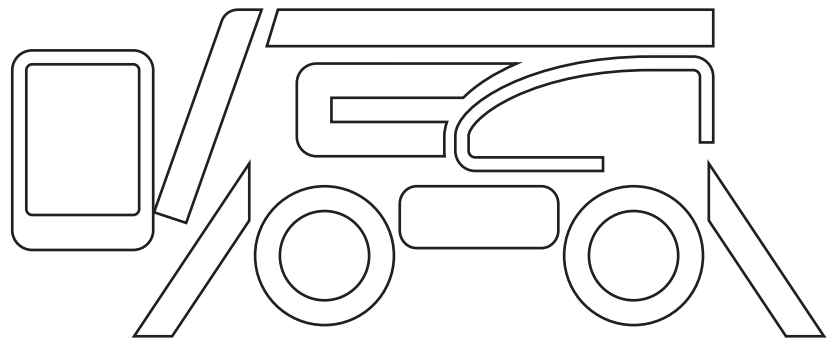


Date: \_\_\_\_\_



Colour me  
**nifty**  
Activity Book

Name: \_\_\_\_\_



**niftylift**

# Word Search

X	U	G	C	E	I	S	L	I	I	O	K	A	A	N	B	P	F	E	J	F	Z	S	V	B
E	F	I	W	V	T	H	V	H	V	B	A	C	S	O	X	Q	L	R	F	H	G	T	W	X
O	M	J	B	I	A	R	Z	X	G	O	C	X	T	S	W	B	Q	B	T	L	Y	F	E	M
B	T	J	Z	R	U	N	R	P	R	E	Z	R	T	L	A	Z	E	P	S	Y	V	I	T	P
V	J	P	M	D	C	Z	S	H	S	P	X	A	U	R	I	C	J	V	T	V	D	L	J	G
N	A	K	F	F	G	X	M	S	U	R	B	A	U	C	I	V	Q	C	F	O	Q	Y	S	E
W	X	V	U	L	K	A	P	U	F	I	J	D	O	J	P	J	A	U	O	O	O	T	F	P
L	D	I	P	E	Q	L	E	A	L	G	H	S	G	C	E	P	C	M	N	S	C	F	R	H
T	M	K	S	S	A	Q	K	I	L	R	T	B	O	D	M	E	I	F	O	T	G	I	B	Z
Z	R	F	P	T	V	G	S	H	Q	E	U	C	T	O	R	N	B	G	V	O	W	N	G	D
A	H	A	F	C	D	E	N	Z	F	E	B	R	C	H	B	O	M	A	S	B	B	M	W	C
D	E	O	C	O	R	N	N	F	V	N	I	N	T	E	L	I	G	E	N	T	A	F	U	Y
N	R	R	Q	K	U	Z	E	H	I	M	H	C	C	L	D	T	Y	M	Z	E	X	O	E	U
M	Q	B	I	B	D	C	G	U	Y	A	D	G	J	S	H	A	H	B	A	T	T	E	R	Y
X	J	P	M	A	T	R	K	W	H	C	T	E	S	Q	Z	T	A	S	E	E	Q	P	I	Q
H	V	K	D	I	L	W	I	M	J	H	Z	A	E	B	V	O	X	J	G	U	E	G	O	X
N	T	B	V	H	L	W	P	V	Y	I	L	B	F	C	E	R	U	M	A	R	B	C	A	L
M	G	E	S	A	A	X	O	G	E	N	O	D	U	G	R	E	E	W	C	M	P	T	C	O
O	Z	K	V	F	L	K	E	R	X	E	G	S	K	W	S	G	H	T	H	T	T	I	E	N
T	D	A	W	M	D	E	X	J	K	S	Q	F	S	O	A	A	M	N	G	A	A	Q	A	H
P	W	Z	A	W	S	Y	Z	K	D	P	S	G	P	P	T	C	V	K	U	Y	O	J	B	G
N	U	H	A	Z	V	J	T	T	S	D	L	H	W	X	I	X	E	A	O	Z	T	F	E	M
G	X	Y	D	Z	R	C	C	M	H	Z	A	A	C	B	L	S	Z	W	T	W	O	G	R	K
P	Z	S	R	Y	G	X	O	Q	W	C	A	O	T	J	E	C	W	V	S	Q	Q	F	V	I
V	U	V	L	B	D	W	Q	Y	V	V	I	Z	K	F	I	T	V	E	X	Q	C	Y	C	M
J	X	D	I	R	B	Y	H	A	A	V	P	A	F	T	O	Q	W	W	C	V	W	L	T	F
E	F	T	A	D	L	N	Z	B	I	E	N	E	R	G	Y	R	T	R	A	M	S	V	M	I
D	E	T	N	U	O	M	R	E	L	I	A	R	T	E	G	X	M	S	I	C	E	D	V	V

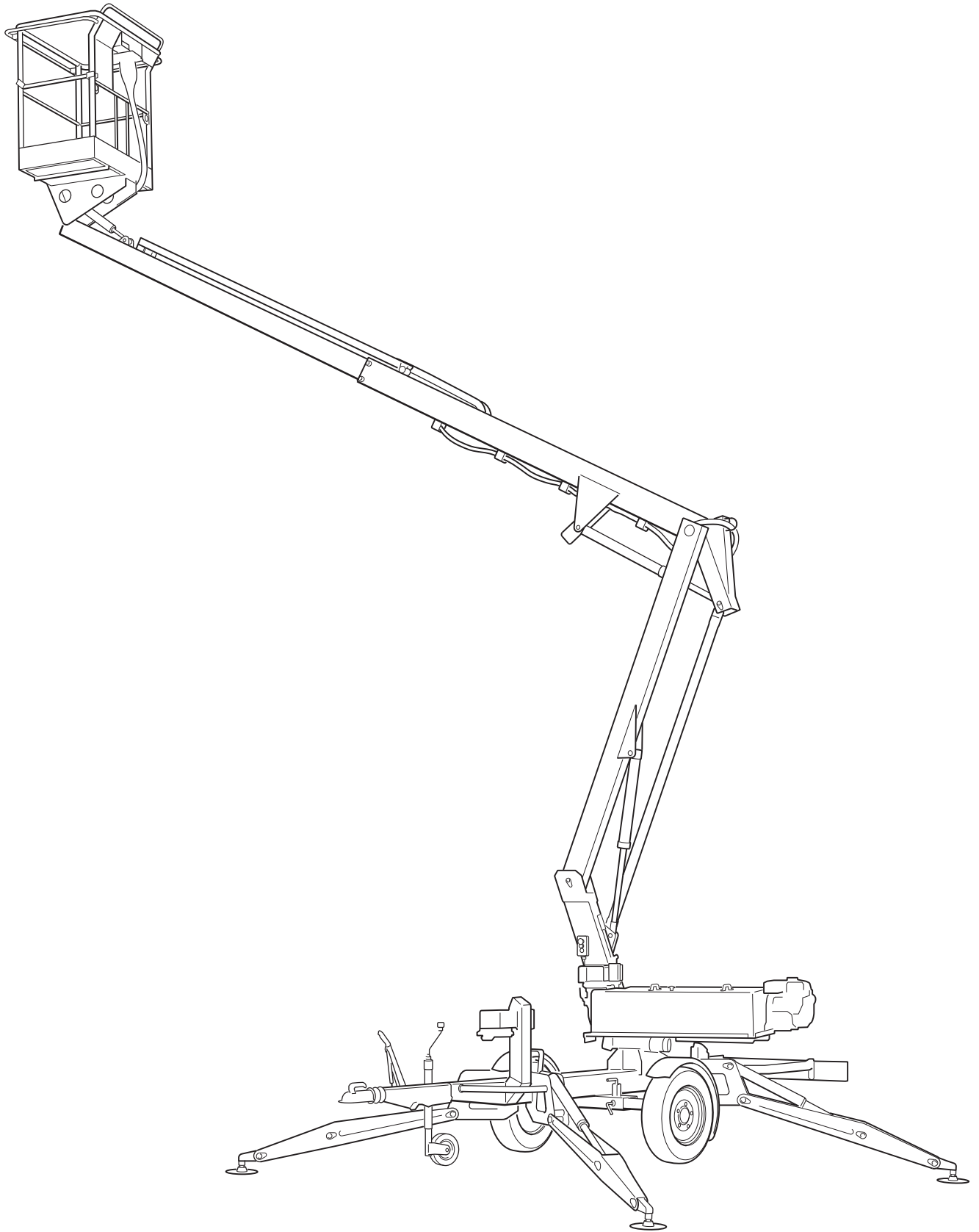
accessplatform  
aerialworkplatform  
battery  
bienergy  
boom

cagerotation  
compact  
costeffective  
durable  
greenmachines

hybrid  
inteligent  
niftylift  
selfdrive  
smart

stabiliser  
toughcage  
trackdrive  
trailermounted  
versatile

*niftylift*

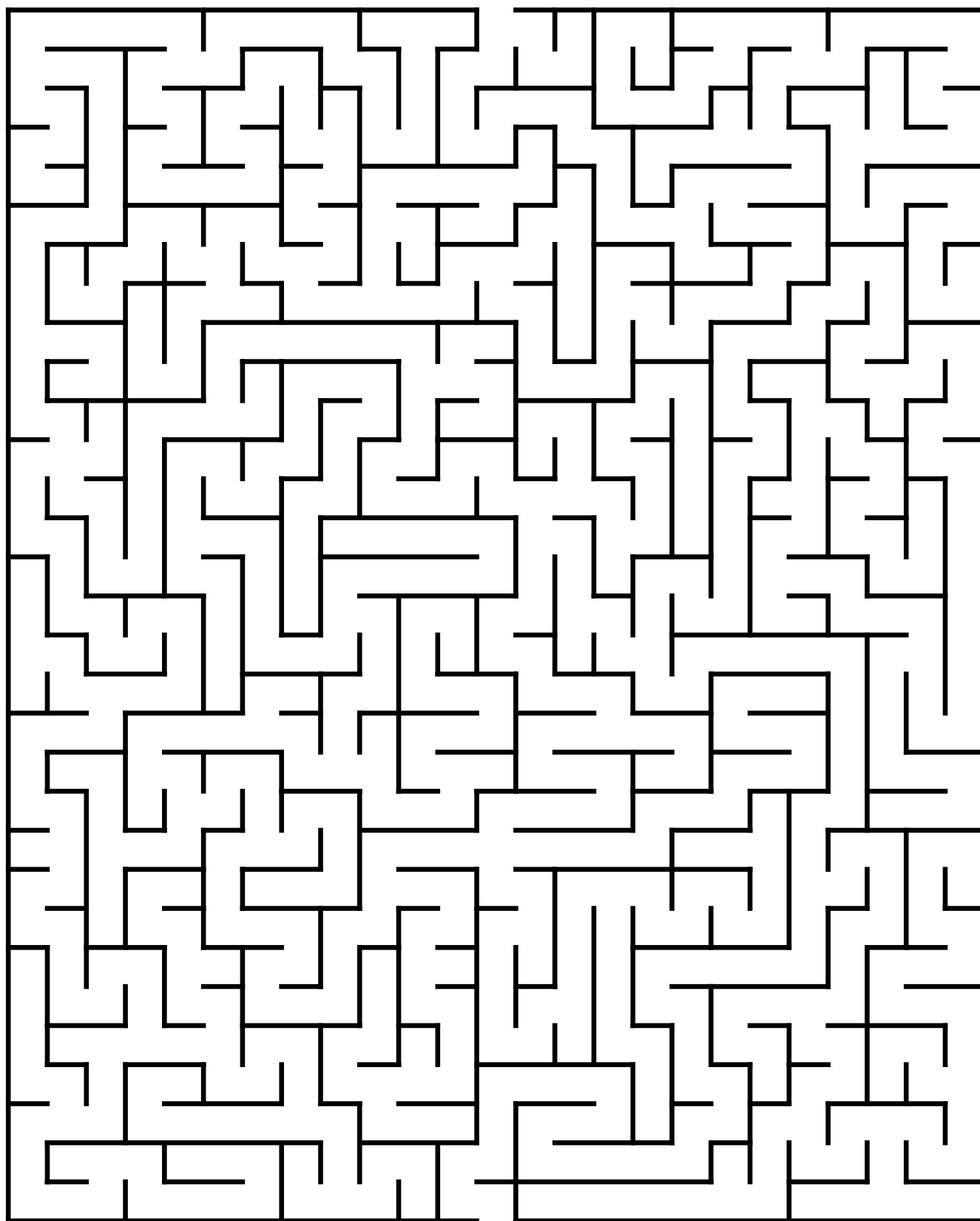


*nifty 120T*



# Maze

START



FINISH

# Sudoku

## Easy

			7					6
9	4			6			8	3
				5		9		1
		9				4		
	6	1	8		7	5	2	
		7				6		
8		6		7				
5	1			3			7	2
7					5			

## Medium

4	9							2
		7	6				1	
8	3	1		5				
	4		1	9		7		
			2		6			
		2		4	7		9	
				6		2	3	9
	6				9	5		
5							4	1

## Hard

		4			1		3	
1	5						7	
7	8			3				1
	7				2			3
	3	8		7		4	2	
9			5				8	
3				1			9	5
	1						4	6
	9		3			7		

## Evil

		2		4	8			
	4				6		1	2
	6		1	7		8		
7	3					9		
	8						5	
		9					8	3
		4		3	7		9	
3	5		6				7	
			4	8		6		

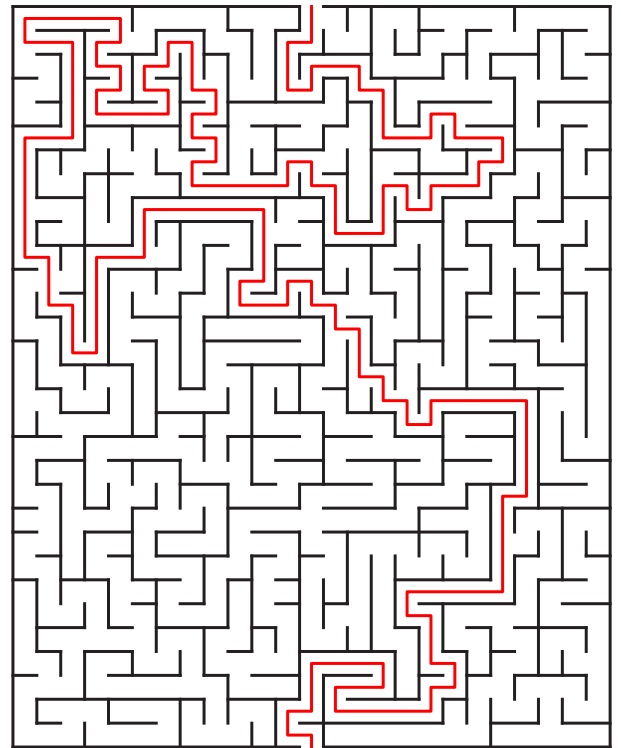
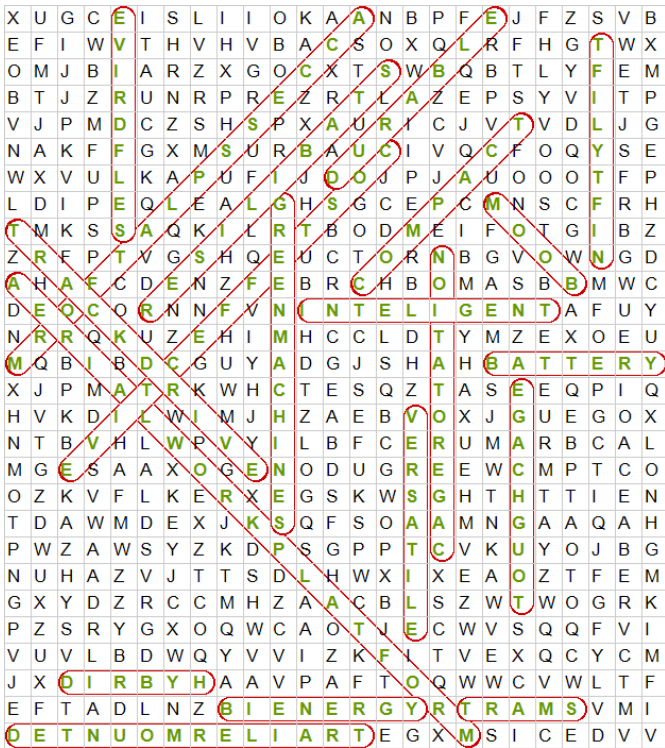
# Spot the Diff



Can you find all 10?



# Answers



## Easy

1	3	8	7	9	4	2	5	6
9	4	5	1	6	2	7	8	3
6	7	2	3	5	8	9	4	1
2	8	9	5	1	6	4	3	7
3	6	1	8	4	7	5	2	9
4	5	7	9	2	3	6	1	8
8	2	6	4	7	1	3	9	5
5	1	4	6	3	9	8	7	2
7	9	3	2	8	5	1	6	4

## Medium

4	9	6	7	1	3	8	5	2
2	5	7	6	8	4	9	1	3
8	3	1	9	5	2	4	6	7
3	4	8	1	9	5	7	2	6
9	7	5	2	3	6	1	8	4
6	1	2	8	4	7	3	9	5
7	8	4	5	6	1	2	3	9
1	6	3	4	2	9	5	7	8
5	2	9	3	7	8	6	4	1

## Hard

6	2	4	7	9	1	5	3	8
1	5	3	6	2	8	9	7	4
7	8	9	4	3	5	2	6	1
4	7	1	9	8	2	6	5	3
5	3	8	1	7	6	4	2	9
9	6	2	5	4	3	1	8	7
3	4	6	2	1	7	8	9	5
2	1	7	8	5	9	3	4	6
8	9	5	3	6	4	7	1	2

## Evil

1	7	2	5	4	8	3	6	9
8	4	5	3	9	6	7	1	2
9	6	3	1	7	2	8	4	5
7	3	1	8	5	4	9	2	6
4	8	6	9	2	3	1	5	7
5	2	9	7	6	1	4	8	3
6	1	4	2	3	7	5	9	8
3	5	8	6	1	9	2	7	4
2	9	7	4	8	5	6	3	1



Please contact [marketing@niftylift.com](mailto:marketing@niftylift.com) with any questions, comments or suggestions.